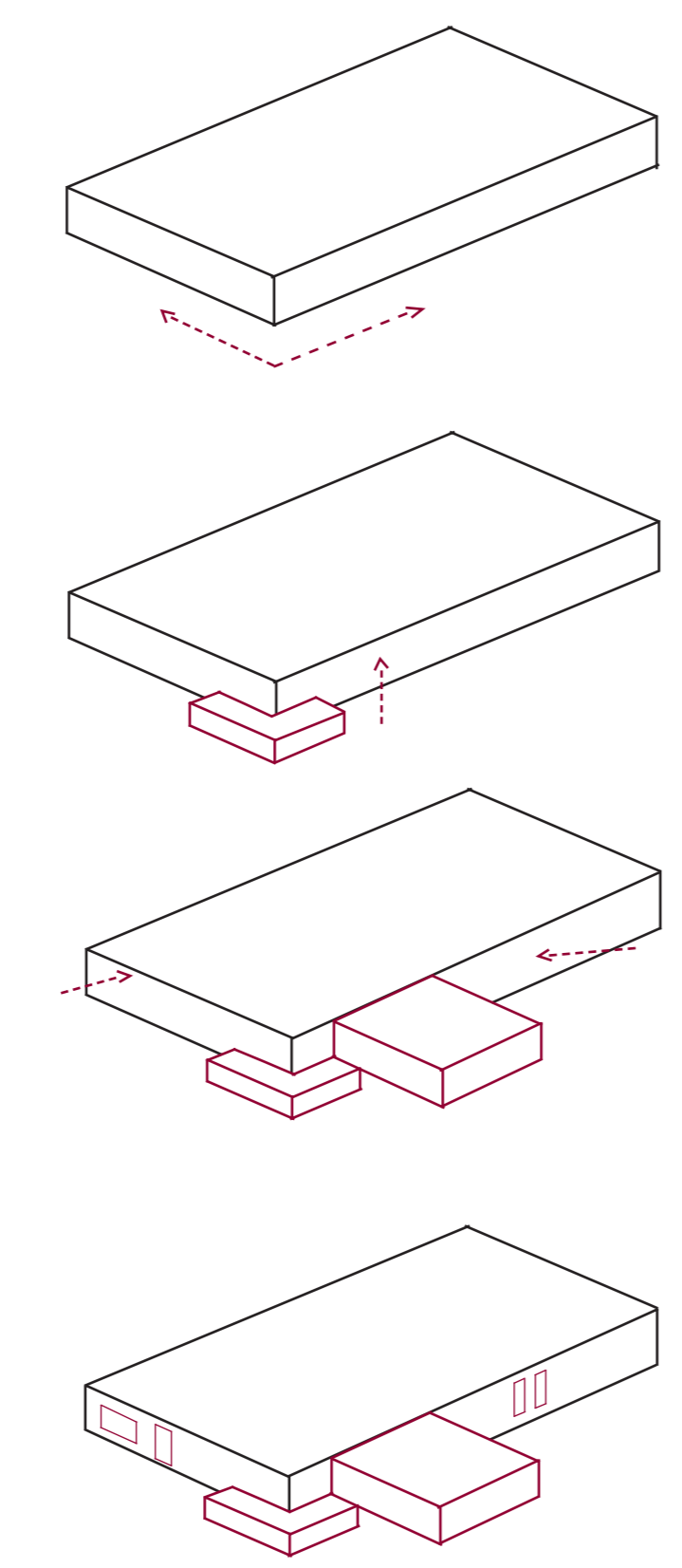
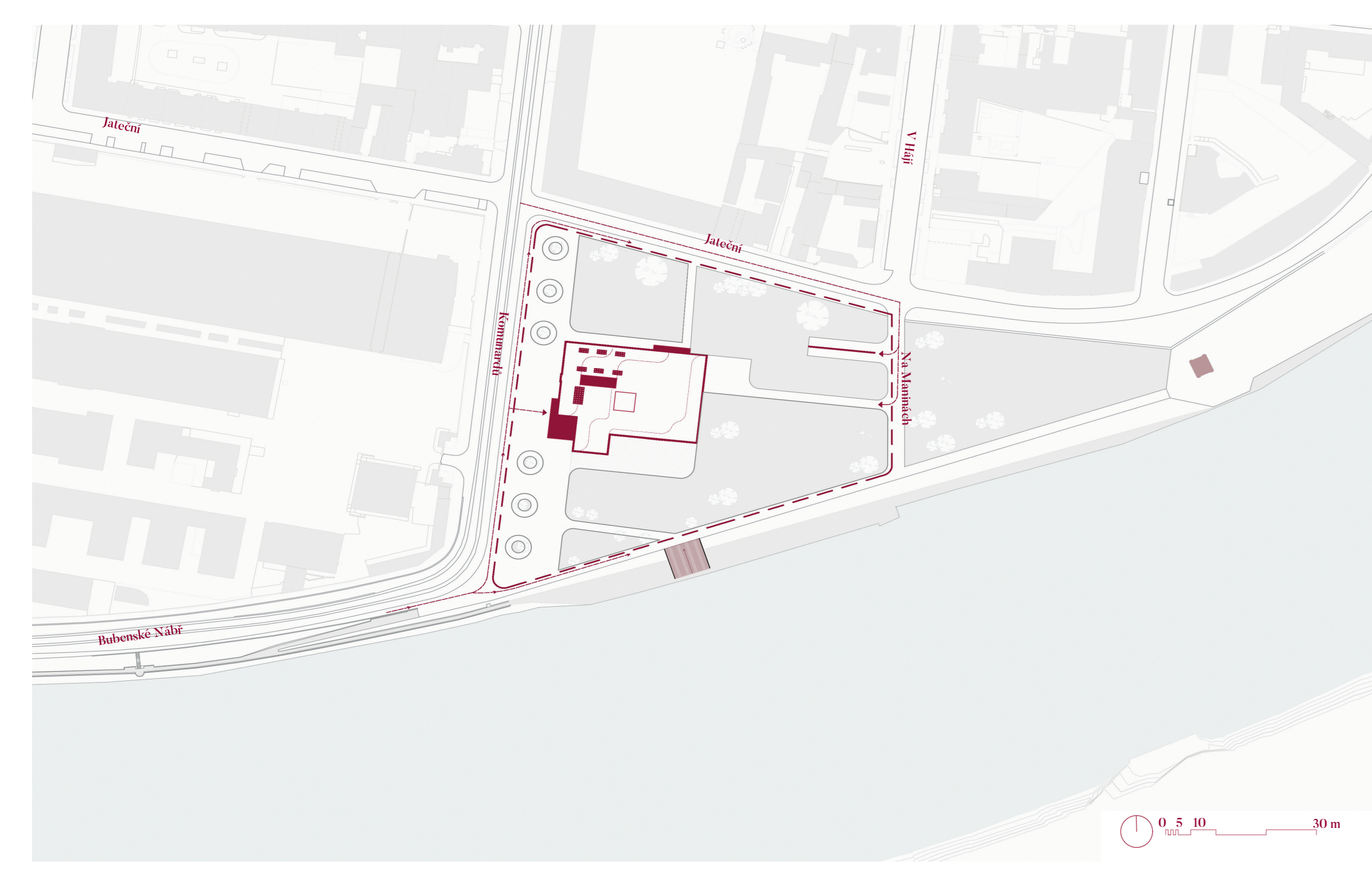




MUSEUM OF MODERN & CONTEMPORARY ART IN HOLEŠOVICE

Bc. Aza Keledjian | Ateliér Krátký-Marques | SS 2023-2024

Situational Plan



Museum of Modern and Contemporary Art located in Holešovice Prague 7. Between the streets Komunardů Jateční and Maninách. The area forms a kind of triangle which has a location in a culturally diverse neighbourhood.

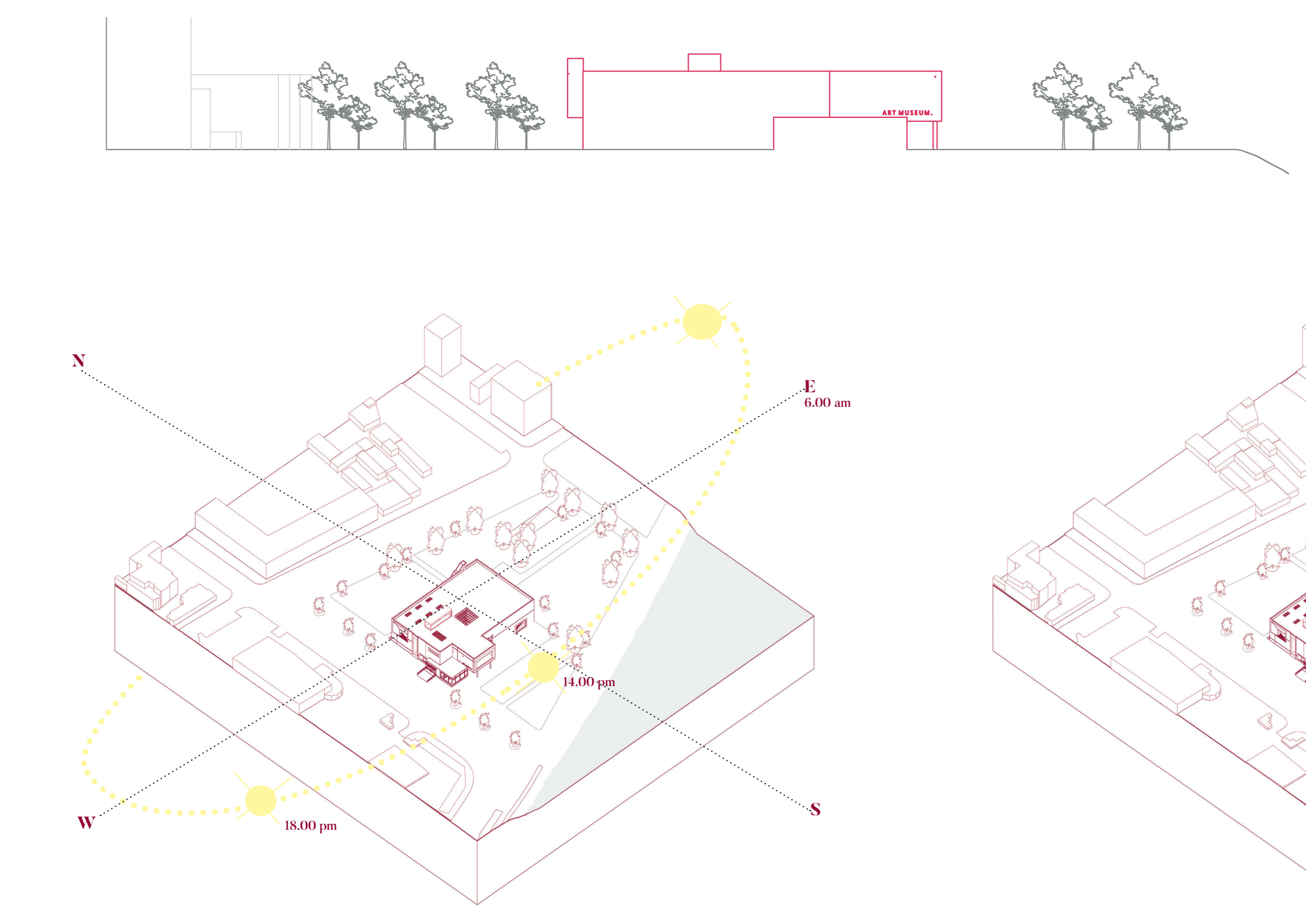
The museum is a place where you can see art from different times and cultures. The key of the Museum is that it focuses on Modern and Contemporary art, giving the viewer the opportunity to choose and experience the full atmosphere of art.

The museum includes modern art halls showcasing various art movements and contemporary art halls featuring works by living artists or renowned masterpieces created in recent decades.

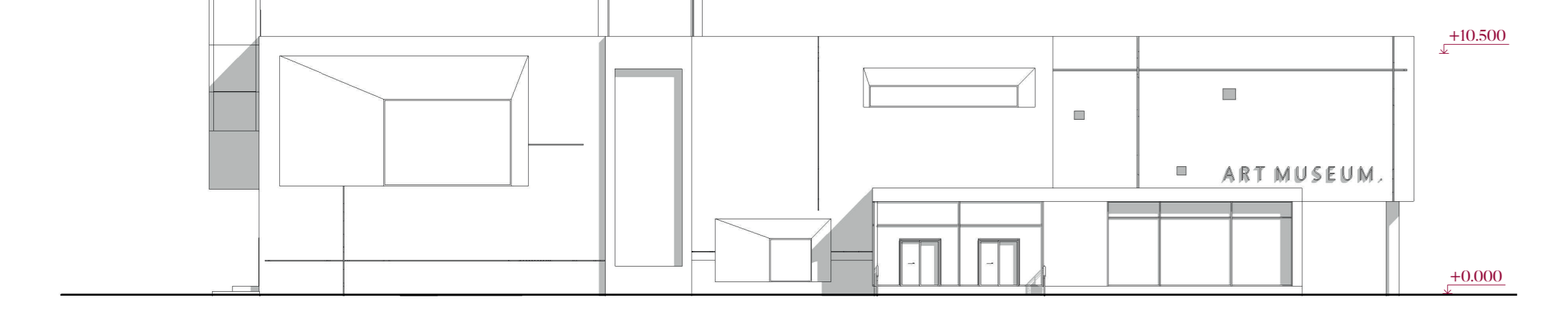
The main goal of the project is to create a museum that seamlessly integrates modernity while giving priority to functionality and flexibility. It will feature flexible exhibition spaces designed to showcase art, complemented by areas equipped with modern technologies, including digital art.

The museum will be designed to harmonise with its surroundings and emphasise Prague's cultural landscape with its unique character.

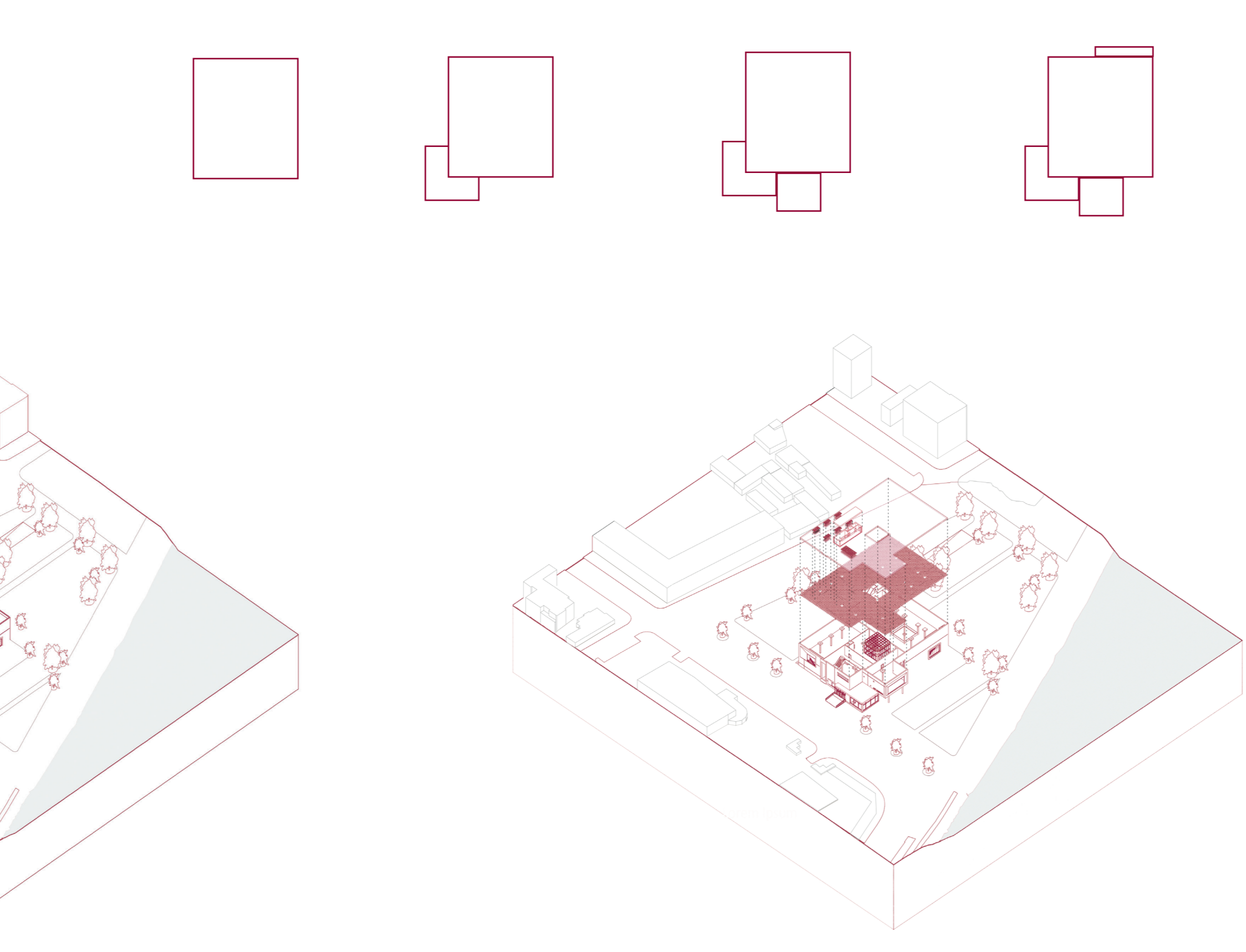
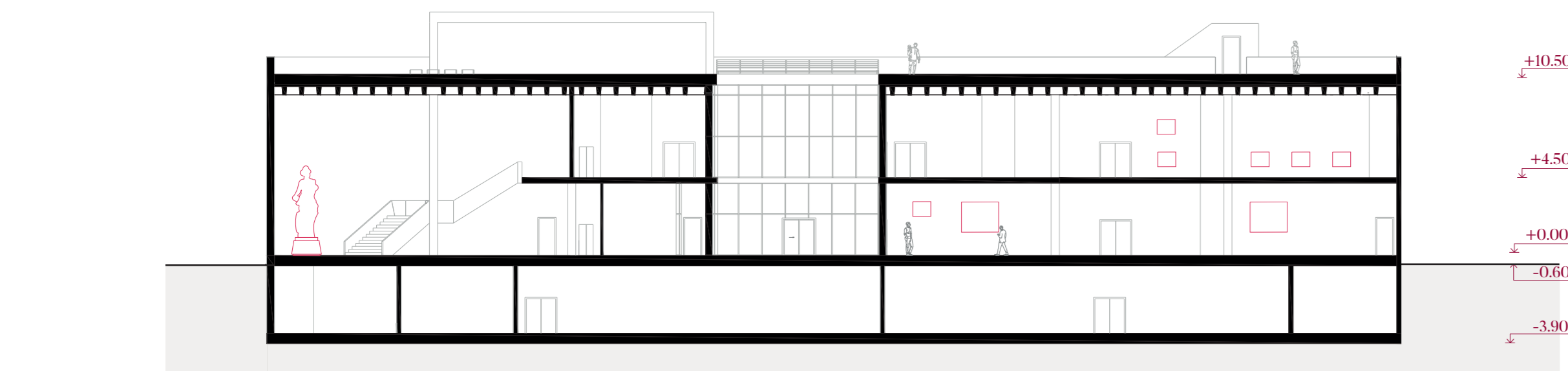
The building will include a large hall with a lobby, exhibition halls, multifunctional spaces for holding lectures or master classes, spaces for visitors to relax, modern technology spaces, as well as administrative and office space.



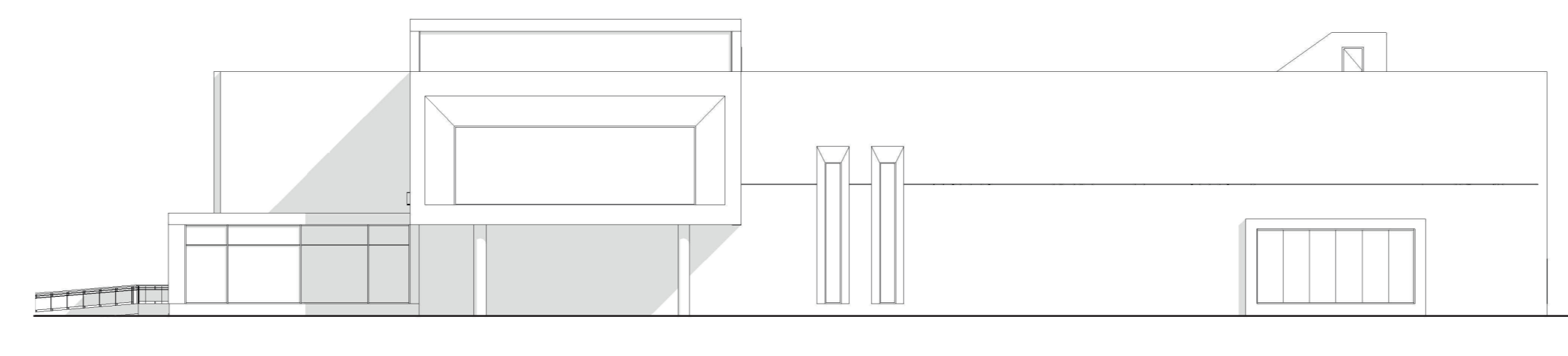
Street Facade



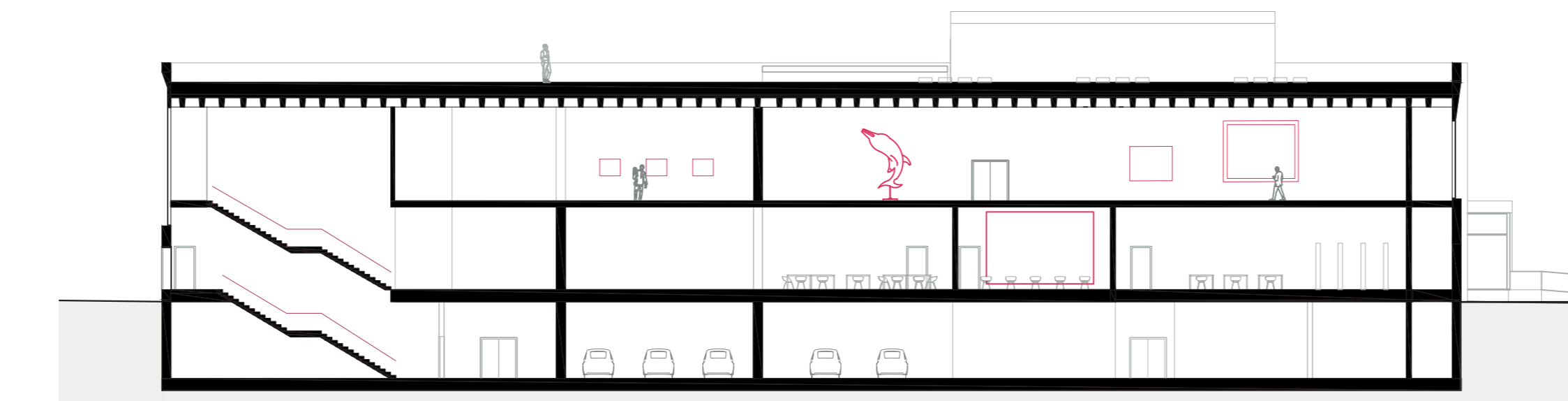
Section 2-2



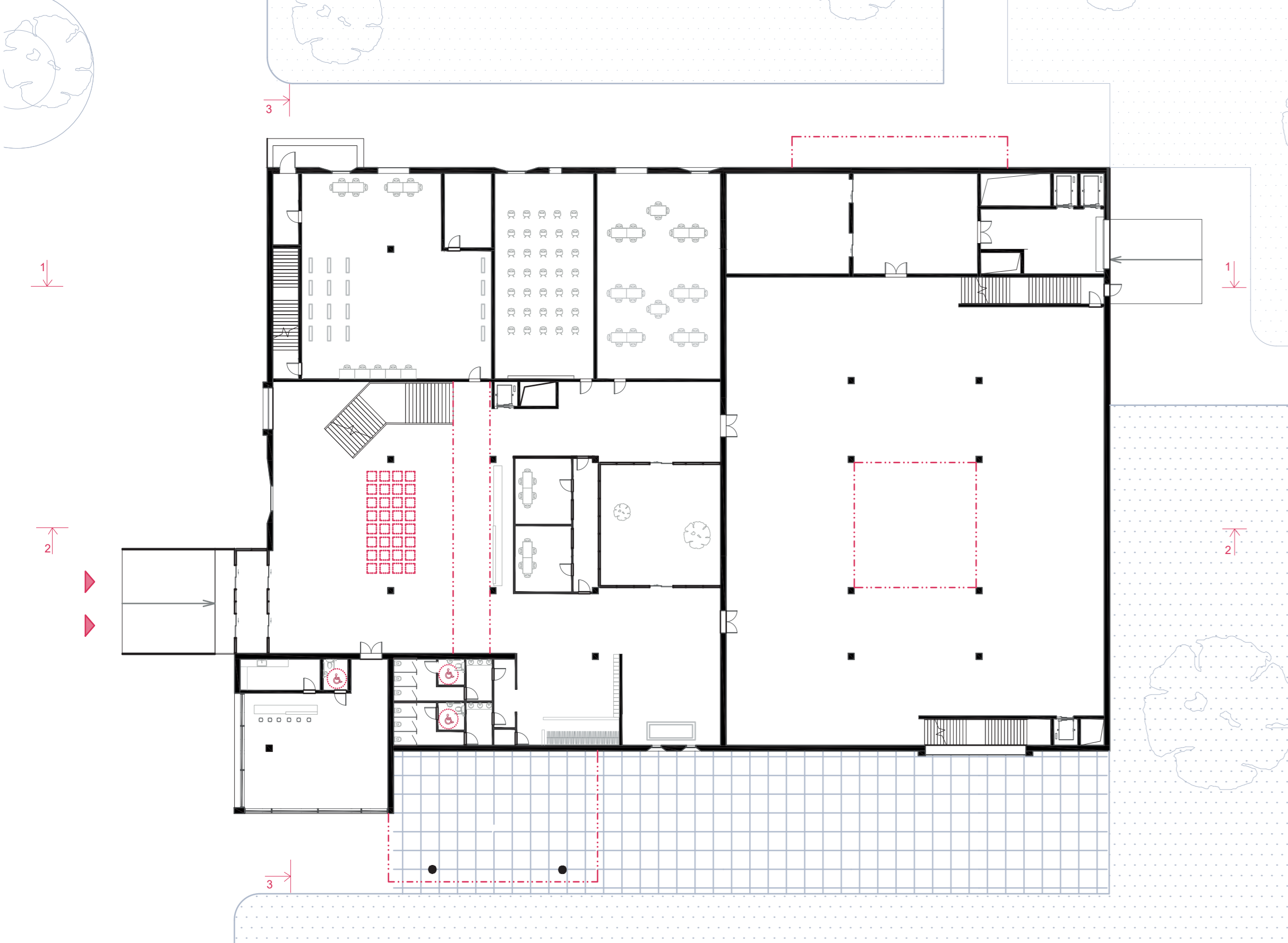
River Facade



Section 1-1



Ground Floor



First Floor

